

ATLAS

SINCE 1919

-  22.0 - 22.6 t
-  129 kW (175 hp)
-  0.75 - 1.3 m³

**STABLE.
STRONG.
STEADY.**



WHEELED EXCAVATOR 220W

WWW.ATLASGMBH.COM

TECHNICAL SPECIFICATION 220W

Technical data

ENGINE

Power rating acc. to ISO 9249..129 kW (175 PS)	Displacement6700 cm ³	Battery 2 x 12 V / 100 Ah
RPM1800/min	Number of cylinders 6	Generator 24 V / 70 Ah
Make/modelCummins/QSB 6.7 T4F	Cooling system water cooled	Starter 24 V / 3.2 kW
DesignTurbocharger/charge air cooling	Air filter dry air filter	

HYDRAULIC SYSTEM

- Load limit controlled high-performance piston pump
- Dual circuit hydraulic system
- Standard 7 consumer loads in one valve block
- Sensitive, proportional, independent control
- Primary and secondary protection against overload
- Suction valve for all work functions
- Load retaining and fine lowering valves in lifting circuit
- Pump flow control
- Proportional grab/grab rotating function
- Fuel efficient flow-on-demand control
- Pipe break protection valves for lifting and articulated cylinders
- 2 additional circuits for more consumer loads possible
- Max. oil flow400 l/min
- Operating pressure max 340 (370)* bar
- **Operating modes:**
3 preprogrammed modes (Fine, Eco, Power)

SWING ASSEMBLY

- Swing motor: Axial piston motor with priority valve
- Swing gear: Planetary transmission
- Swing brake: Automatically controlled multi-disc brake
- Max. swing speed 11/min
- Swing torque 63.2 kNm

Traction DRIVE AND BRAKES

- Variable displacement motor
- Power shift gear
- Double-acting brake valve
- Travel direction pre-selection via switch in joystick
- Automotive drive and cruise control
- Max. speed..... 20 km/h
- Off-road speed..... 5 km/h
- Crawling speed.....1 km/h
- Tractive force..... 91.8 kN
- Gradeability max.55 %
- Dual circuit brake.....multi-disc
- Parking brake.....multi-disc

UNDERCARRIAGE

- 40 ton special excavator axles
- Steering axle with automatic oscillating axle locking
- 8 tires (twins) PR 16 10.00 - 20

FILL CAPACITIES

- Fuel tank 382 Liter
- Cooling system 42 Liter
- Engine oil..... 20 Liter
- Hydraulic tank..... 224 Liter
- Hydraulic system.....290 Liter
- AdBlue® Tank18.9 Liter

DRIVER'S CAB

- Meets latest safety standards
- Extra large entry zone
- Spacious leg room
- Excellent circumferential visibility
- Preparation for radio installation with mute function
- **CONTROL:**
 - Ergonomic joysticks with proportional slide control
 - Slim, height- and angle adjustable steering column
 - Indicators, controls and operating switches are clearly arranged
- **CLIMATE CONTROL:**
 - Air conditioning equipped as standard
 - Excellent air distribution through optimally arranged nozzles
- **SOUND LEVELS:**
 - ISO 6396 (L_{pA}) in driver's cab.....74 dB(A)
 - 2000/14 EG (L_{WA}) ambience level..103dB(A)
- **DRIVER'S SEAT:**
 - Air-cushioned comfort seat (optional seat heating)
 - Arm rests and lumbar support
 - Seat adjustable separately from console
- **MONITORING:**
 - Operating data display screen
 - Automatic system for monitoring, warning and storage of data

OPERATING WEIGHTS

ADJUSTABLE BOOM

Base arm 1.95 m (C23.41), Boom 4.23 m (C25.46), Stick 2.65 m (D21.33)

Support and dozer blade/ outriggers

22.6 t

* Power boost switch Operating weights for road travel with a driver, completely filled and 1,0 t attachment

WORKING EQUIPMENT 220W

Working equipment

BASIC UNIT ATLAS 220W		
	STANDARD BASIC EQUIPMENT:	<ul style="list-style-type: none"> • Seat can be adjusted separately from console
<ul style="list-style-type: none"> • Wheel excavator 220W, support and dozer blade on rigid axle, 2x outrigger support on steering axle, 2 lifting cylinders (A23.33) 	Engine:	<ul style="list-style-type: none"> • Rear view security camera with LCD-colour monitor
BOOM:	<ul style="list-style-type: none"> • Automatic idling system • Diesel prefilter • Engine monitoring 	<ul style="list-style-type: none"> • Heat absorbing glass, tinted windows • Automotive drive and cruise control • Operating data display screen
<ul style="list-style-type: none"> • Monoblock boom with stick cylinder 5.95 m (C25.3M) • Adjustable boom consisting of base arm 1,95 m (C23.41) with adjustable cylinder and boom 4,23 m (C25.46) with stick cylinder 	Hydraulic system:	<ul style="list-style-type: none"> • Ready for electric cooling box
STICK:	<ul style="list-style-type: none"> • Proportional grab and grab rotating function • Accumulator for emergency lowering of boom system • Pipe break protection valves for lifting and articulated cylinders • Max. load-limit control 	<ul style="list-style-type: none"> • Different options for storage, compartment for documents • Bottle holder
<ul style="list-style-type: none"> • Stick 2,70 m (D25.2) for monoblock boom • Stick 2,65 m (D21.33) for adjustable boom 	<ul style="list-style-type: none"> • Cylinder end position damping 	SUPERSTRUCTURE:
BUCKET TIPPING CYLINDER:		<ul style="list-style-type: none"> • Fold-away condenser • Spacious and lockable storage space in superstructure
<ul style="list-style-type: none"> • Bucket tipping cylinder with bucket linkage (F25.1A) 	Cab:	UNDERCARRIAGE:
EQUIPMENT:	<ul style="list-style-type: none"> • Air conditioning • Preparation for radio installation with mute function • Slim, height and angle adjustable steering column 	<ul style="list-style-type: none"> • Power shift transmission • Wet disc brakes • Toolbox in undercarriage
<ul style="list-style-type: none"> • Joint bearings in stick and bucket cylinders • Combined lubricating points for swing bearing and arm equipment 		

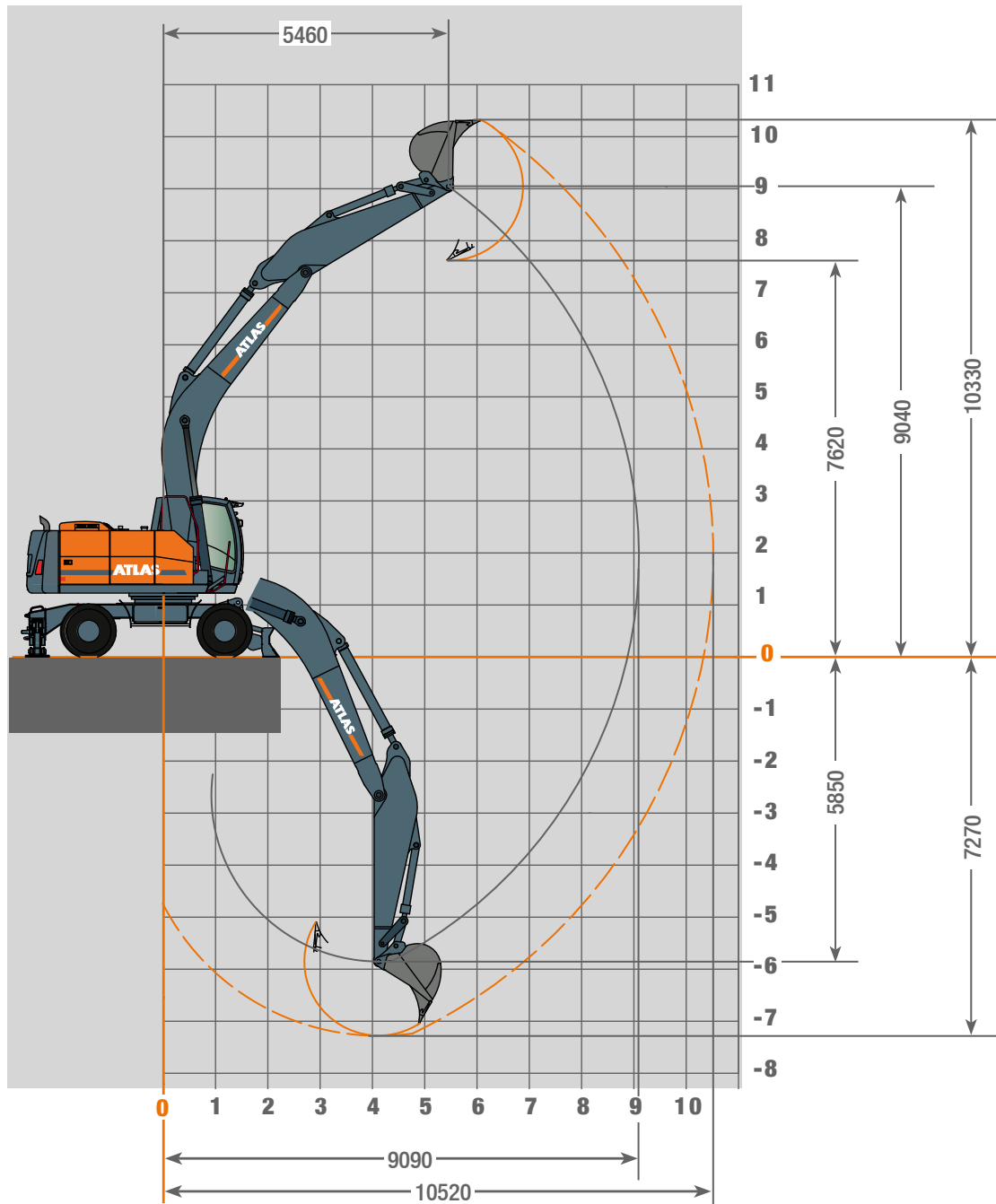
ADDITIONAL EQUIPMENT		
Engine:	Equipment:	
<ul style="list-style-type: none"> • Refueling pump • Engine speed adjustment via potentiometer • Auxiliary heating • Cold start assistance 	<ul style="list-style-type: none"> • Automatically controlled and monitored electric central lubrication system • Second toolbox in undercarriage • Transport cover of bucket from 1000mm to 1300mm • Traction motor guard 	<ul style="list-style-type: none"> • Alarm-signal while driving • Beacon light • GPS/GSM Telemetriebox, for monitoring of operating data, fuel consumption, location • Radio/CD/MP3, front AUX in, USB • Electric cooling box • Working lights, LED version
Hydraulic system:	Cab:	
<ul style="list-style-type: none"> • Hydraulic kit, to operate front and rear supports separately • Hydraulic kit, to operate supports per axle separately • Biodegradable oil 	<ul style="list-style-type: none"> • Cab protection guard • Heated driver's seat • Cab elevation 	<ul style="list-style-type: none"> • Head rest • Proportional control of supports by slide in joystick
		Further special equipment: see price list

ATTACHMENTS (SELECTION)						
	Bucket	Bucket*	Bucket*	Bucket*	Bucket	Trench bucket
	F63.15	F63.26	F63.27	F63.28	F63.29	F63.35
Capacity SAE	0.75 m ³	0.83 m ³	0.93 m ³	1.14 m ³	1.34 m ³	1.14 m ³
Cutting width	850 mm	1000 mm	1100 mm	1300 mm	1500 mm	1300 mm

* A German road authorization under §70 StVZO says only buckets from 1000 mm to 1300 mm cutting width are possible!

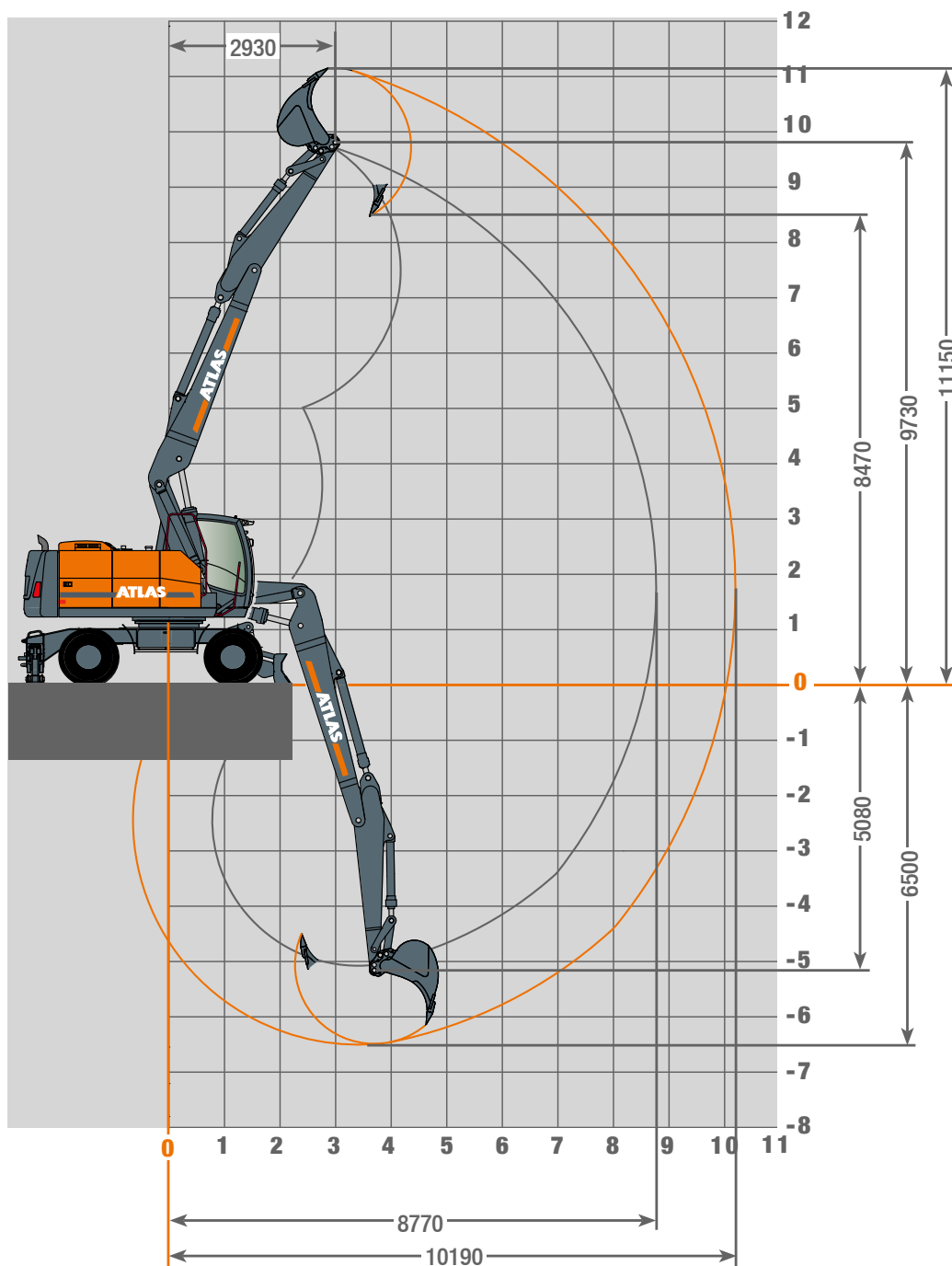
WORKING RANGES 220W

Working ranges Monoblock boom 5.90 m (C25.3M) and stick 2.70 m (D25.2)























WORKING RANGES 220W

Working ranges Adjustable boom: Base arm 1.95 m (C23.41) and boom 4.23 m (C25.46)



LIFTING CAPACITIES 220W

Lifting capacities Adjustable boom: Base arm 1.95 m (C23.41) and boom 4.23 m (C25.46)

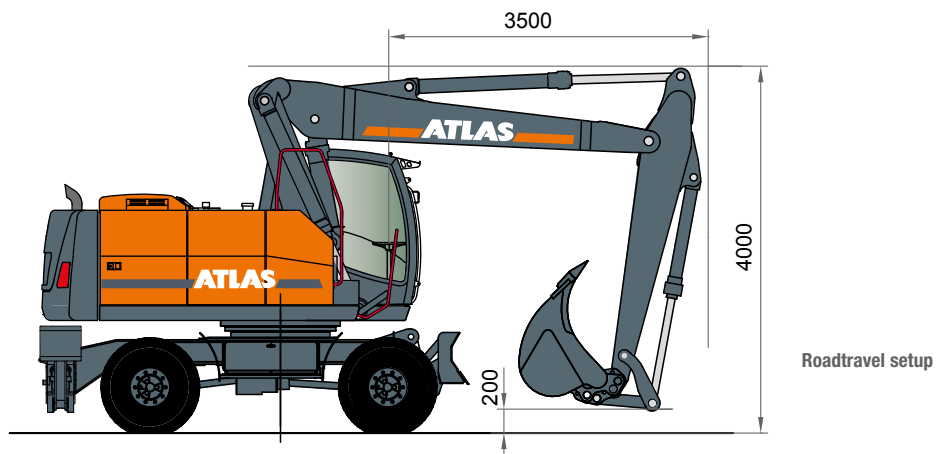
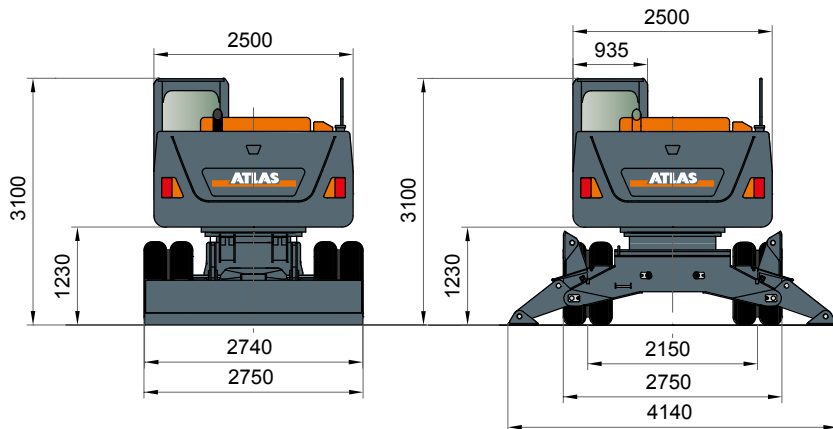
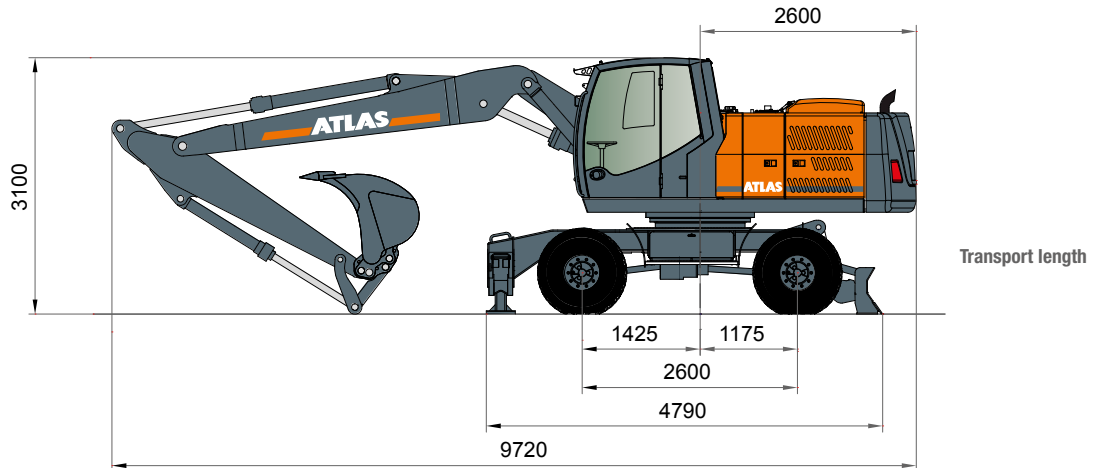
Adjustable boom: Base arm 1.95 m (C23.41), boom 4.23 m (C25.46) with stick 2.65 m (D21.33). Max. reach 10.25 m														
Height	Undercarriage type		3.0 m	3.5 m	4.0 m	4.5 m	5.0 m	5.5 m	6.0 m	6.5 m	7.0 m	7.5 m	8.0 m	8.5 m
+9.0 m	FRONT		SDB rear, supported	0	0	7646	6474	0	0	0	0	0	0	0
		SDB front, raised	0	0	7646	6474	0	0	0	0	0	0	0	0
	LATERAL		SDB supported	0	0	7646	6474	0	0	0	0	0	0	0
		SDB raised	0	0	-7248	-6305	0	0	0	0	0	0	0	0
+7.5 m	FRONT		SDB rear, supported	0	0	0	6976	6961	6972	6608	4703	0	0	0
		SDB front, raised	0	0	0	6976	-6736	-6073	-5342	-4614	0	0	0	0
	LATERAL		SDB supported	0	0	0	6976	6961	6972	6608	4703	0	0	0
		SDB raised	0	0	0	-6221	-5563	-4833	-4158	-3587	0	0	0	0
+6.0 m	FRONT		SDB rear, supported	0	0	6865	7172	7338	7160	7018	6901	6657	5198	0
		SDB front, raised	0	0	6865	7172	-6837	-6109	5422	-4805	-4201	-3685	0	0
	LATERAL		SDB supported	0	0	6865	7172	7338	7160	7018	6901	6657	5198	0
		SDB raised	0	0	6865	-6355	-5563	-4865	-4294	-3767	-3287	-2871	0	0
+4.5 m	FRONT		SDB rear, supported	10543	11481	10230	9339	8673	8161	7663	7239	6932	6702	6060
		SDB front, raised	10543	11481	-9669	-8094	-6943	-6053	-5348	-4780	-4273	-3761	-3323	0
	LATERAL		SDB supported	10543	11481	10230	9339	-8574	-7436	-6549	-5839	-5258	-4671	-4152
		SDB raised	10543	-8962	-7405	-6279	-5433	-4778	-4249	-3812	-3357	-2944	-2587	0
+3.0 m	FRONT		SDB rear, supported	9710	11579	12478	11364	10093	9168	8446	7873	7428	7064	6821
		SDB front, raised	9710	11579	-9390	-7893	-6780	-5936	-5271	4735	-4261	-3754	-3323	-2953
	LATERAL		SDB supported	9710	11579	11821	-9827	-8382	-7294	-6452	-5775	-5226	4661	-4150
		SDB raised	9710	-8609	-7139	-6100	-5299	-4684	-4187	-3781	-3351	-2938	-2587	-2285
+1.5 m	FRONT		SDB rear, supported	12899	13633	13763	13502	11680	10362	9389	8639	8044	7578	-6965
		SDB front, raised	12899	-11429	-9257	-7776	-6702	-5877	-5239	-4737	-4173	-3679	-3263	-2910
	LATERAL		SDB supported	12899	13633	-11685	-9698	8286	7226	6408	-5758	-5177	-4582	-4087
		SDB raised	10590	-8434	-7013	-5996	-5232	-4635	-4167	-3726	-3264	-2865	-2530	-2244
0 m	FRONT		SDB rear, supported	16644	16176	15451	14276	12697	11315	10221	9339	-8459	-7673	-6864
		SDB front, raised	15020	-11478	-9295	7797	-6725	-5879	-5181	-4575	-4009	-3547	-3163	-2844
	LATERAL		SDB supported	16644	-14754	11722	-9726	-8315	-7265	-6466	-5699	-5014	-4454	-3988
		SDB raised	10477	-8368	-6948	-5920	-5137	-4517	-4009	-3555	-3106	-2741	-2435	-2181
-1.5 m	FRONT		SDB rear, supported	21260	18982	16483	14410	12801	11516	10470	-9511	-8480	-7538	-6787
		SDB front, raised	14905	-11316	-9110	-7610	-6519	-5685	-4954	-4327	-3825	-3408	-3084	0
	LATERAL		SDB supported	20177	-15004	-11878	-9781	-8297	-7186	-6241	-5459	-4831	-4314	-3907
		SDB raised	10077	-8018	-6649	-5667	-4924	-4339	-3799	-3320	-2934	-2610	-2361	0
-3.0 m	FRONT		SDB rear, supported	23422	19530	16740	14650	13037	11797	10643	9426	7976	0	0
		SDB front, raised	14737	-11159	-8972	-7479	-6284	-5390	-4702	-4161	-3733	0	0	0
	LATERAL		SDB supported	20428	-14907	-11726	-9640	-8047	-6874	-5982	-5286	-4736	0	0
		SDB raised	-9941	-7885	-6528	-5550	-4711	-4068	-3565	-3165	-2848	0	0	0
-4.5 m	FRONT		SDB rear, supported	23158	19065	15944	13387	11101	0	0	0	0	0	0
		SDB front, raised	14675	-11004	-8750	-7231	-6141	0	0	0	0	0	0	0
	LATERAL		SDB supported	20356	-14734	-11484	-9373	-7895	0	0	0	0	0	0
		SDB raised	-9891	-7753	-6334	-5329	-4582	0	0	0	0	0	0	0

The specified max. loading capacities in kilogrammes (kg) include a stability of 25% or are calculated at 87% of the hydraulic lifting power, as per ISO10567. These values are applicable at the tip of the arm with optimum positioning of the corresponding arm system. Weights of attached load carrying accessories (grab, magnet, load hook, etc.) are not included with the load carrying values. *Value limited due to excavator stability.

DIMENSIONS 220W

Dimensions

A23.33, C27.41, C25.46, D21.33, F25.1, F63.27



For driving on public roads, excavators with TÜV approval to ensure the axle load of 12 t must be switched to the road mode, i.e. the steering axle is located behind in the direction of travel.

GANDERKESEE FACTORY

Atlas GmbH
Atlasstraße 6
D-27777 Ganderkesee,
Germany

Tel.: +49 (0) 4222 954 0
Fax: +49 (0) 4222 954 220
E-mail: info@atlasgmbh.com
www.atlasgmbh.com



VECHTA FACTORY

Atlas GmbH
Theodor-Heuss-Str. 3
D-49377 Vechta
Germany

T: +49 (0) 4441 954 0
F: +49 (0) 4441 954 299
E-mail: info@atlasgmbh.com
www.atlasgmbh.com



DELMENHORST FACTORY

Atlas GmbH
Stedinger Straße 324
D-27751 Delmenhorst
Germany

T: +49 (0) 4221 49 10
F: +49 (0) 4221 49 14 43
E-mail: info@atlasgmbh.com
www.atlasgmbh.com

ATLAS CRANES UK LTD NATIONAL SALES & SERVICE FACILITY

Wharfedale Road,
Euroway Trading Est.
Bradford, England BD4 6SL
United Kingdom

T: +44 8444 99 66 88
F: +44 1274 65 37 85
E-mail: atlasuk@atlasgmbh.com
www.atlas-cranes.co.uk
www.atlasgmbh.com

ATLAS SINCE 1919 **Wheeled Excavator
220W**



www.atlasgmbh.com

ATLAS GmbH
EXCAVATORS
Atlasstraße 6
D-27777 Ganderkesee, Germany
T: +49 (0) 4222 954 0
Fax: +49 (0) 4222 954 220
info@atlasgmbh.com